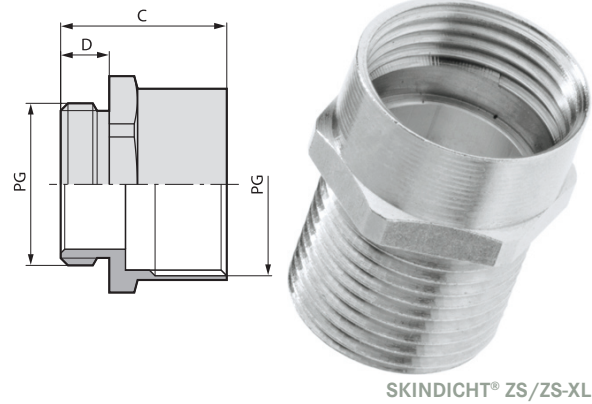


SKINDICHT® ZS/ZS-XL



SKINDICHT® ZS/ZS-XL

Benefits

- Allows the use of PG parts in metric threads
- Assembling with wrench

Application range

- Hexagonal fitting from a PG outer thread to a PG inner thread.
- Machines
- Devices
- Housings

Approvals (Norm references)



Design

- PG connection thread

Note

- SKINDICHT® ZS-XL offers a long metric connection thread

Technical data

- Material**
Nickel-plated brass

Part number	Part designation / size	SW mm	Thread length D mm	Pieces / PU
SKINDICHT® ZS				
52100010	ZS 7	14	5.0	100
52100020	ZS 9	17	6.0	100
52100030	ZS 11	20	6.0	100
52100040	ZS 13,5	22	6.5	100
52100050	ZS 16	24	6.5	50
52100060	ZS 21	30	7.0	50
52100070	ZS 29	40	8.0	25
52100080	ZS 36	50	9.0	10
52100090	ZS 42	57	10.0	10
52100100	ZS 48	64	10.0	10
SKINDICHT® ZS-XL				
52023149	ZS 7 round	14	15.0	100
52020940	ZS 9	17	15.0	100
52020930	ZS 11	20	15.0	100
52020950	ZS 13,5	22	15.0	100
52020960	ZS 16	24	15.0	50
52020970	ZS 21	30	15.0	50
52020980	ZS 29	40	15.0	25
52020990	ZS 36	50	15.0	10
52021000	ZS 42	57	15.0	10
52021010	ZS 48	64	15.0	10

ÖLFLEX®
 UNITRONIC®
 ETHERLINE®
 HITRONIC®
 EPIC®
 SKINTOP®
 SILVYN®
 FLEXIMARK®
 ACCESSORIES
 APPENDIX