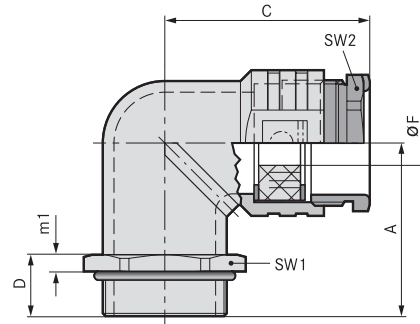
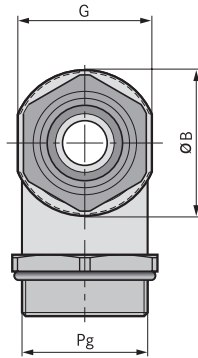
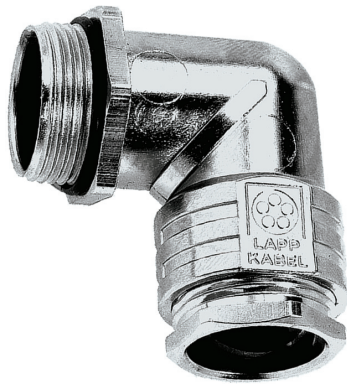


SKINDICHT® RWV



SKINDICHT® RWV

■ **Benefits**

- Strain relief
- Sealed by incised sealing ring
- Corrosion resistant
- Decrease of installation height
- Sea water resistant

■ **Application range**

- Angle glands are used wherever cables have to run in parallel to the housing wall.
- Drives
- Machine and apparatus construction
- Plant engineering
- Light and sound applications

■ **Approvals (Norm references)**



■ **Design**

- PG connection thread

■ **Note**

- Counter nut to be used SKINDICHT® SM
- For combination with other SKINDICHT® or SKINTOP® cable glands, we propose our SKINDICHT® RWV without incised sealing ring and compression screw

■ **Technical data**

Material
 Body: Cast zinc
 Compression screw and hexagon nut; brass, nickel plated
 Incised sealing ring: CR
 O-ring: NBR

Degree of protection
 IP 55

Range of temperature
 -20°C up to +80°C
 Without incised sealing ring: -20°C up to +100°C

Part number	Part designation / size	A mm	G mm	ØB mm	Incised sealing ring ØF, mm	Overall length C mm	Thread length D mm	SW1 / SW2 mm	Pieces / PU
SKINDICHT® RWV									
52004180	RWV 7	20.5	14	15.3	5	26.0	8.5	15.0 / 13.0	25
52004190	RWV 9	23.5	17	18.3	5/8	28.0	9.5	18.0 / 15.0	25
52004200	RWV 11	26.0	20	21.9	7/10/12,5	31.5	10.0	21.0 / 18.0	25
52004210	RWV 13,5	28.5	22	24.0	7/10,5/13/16	34.5	10.5	23.0 / 20.0	25
52004220	RWV 16	31.0	24	26.1	8/10,5/13,5/16	35.5	11.0	26.0 / 22.0	10
52005420	RWV 21	33.5	30	32.5	11/15/18/20	42.5	11.5	32.0 / 28.0	10
52004225	RWV 29	43.0	40	42.0	19/23/27/31	49.0	13.0	41.0 / 37.0	10
SKINDICHT® RWV without E+D									
52024020	RWV 7	20.5	14	15.3		20.2	8.5	15.0 / 13.0	25
52023970	RWV 9	23.5	17	18.3		21.8	9.5	18.0 / 15.0	25
52023980	RWV 11	26.0	20	21.9		24.9	10.0	21.0 / 18.0	25
52023990	RWV 13,5	28.5	22	24.0		27.4	10.5	23.0 / 20.0	25
52024000	RWV 16	31.0	24	26.1		28.5	11.0	26.0 / 22.0	10
52024010	RWV 21	33.5	30	32.5		34.8	11.5	32.0 / 28.0	10
52024015	RWV 29	43.0	40	42.0		41.2	13.0	41.0 / 37.0	10